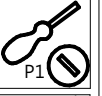
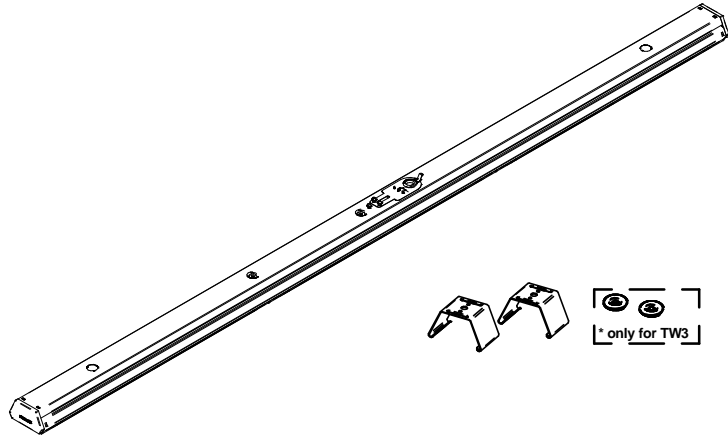
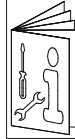


# PHILIPS

## CoreLine Trunking Gen2

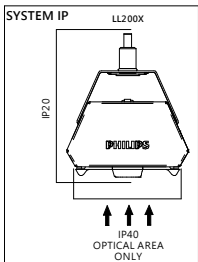
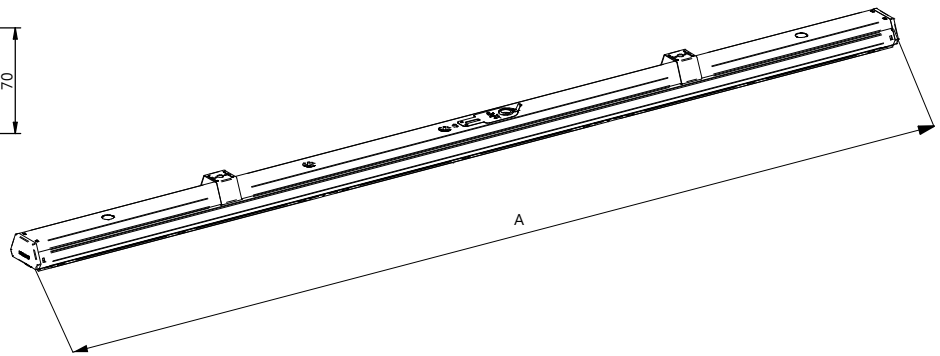
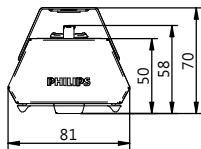
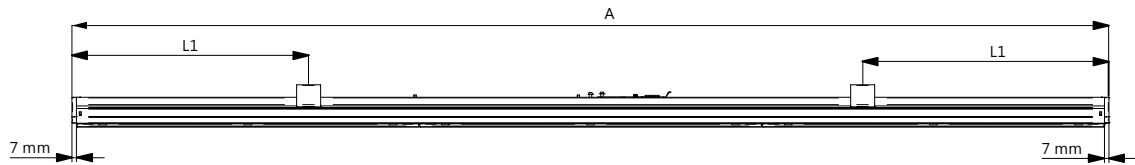
LL217X BV, LL234X BV



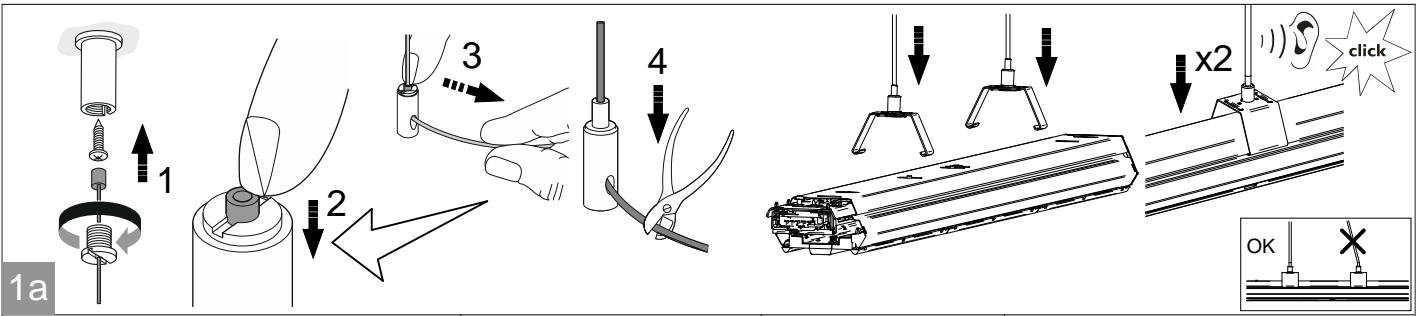
GLOW WIRE  
850°C



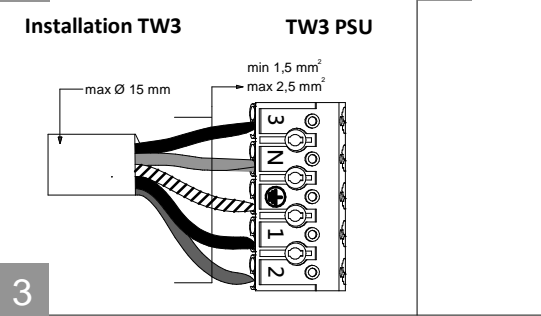
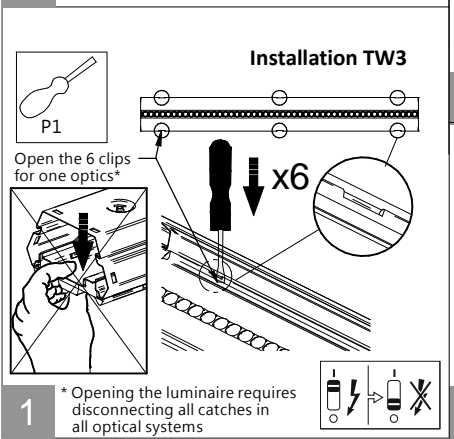
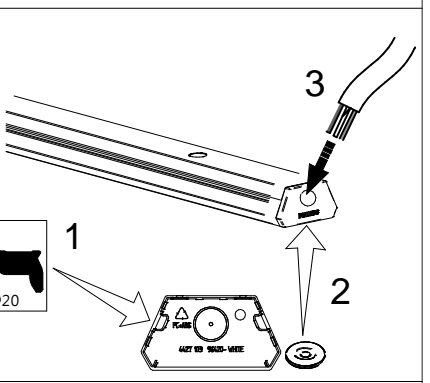
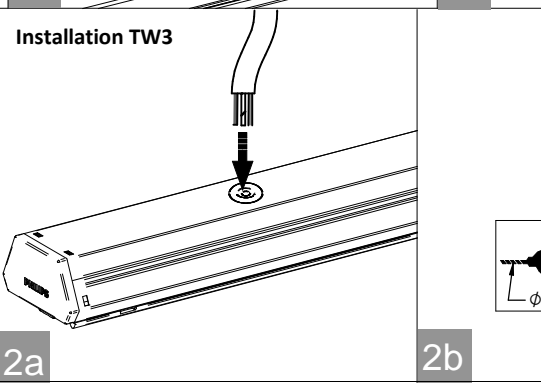
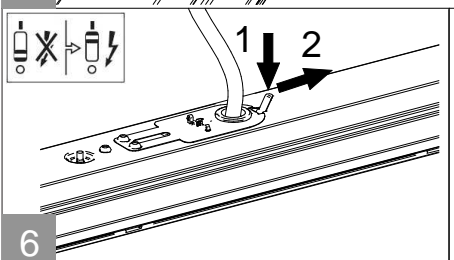
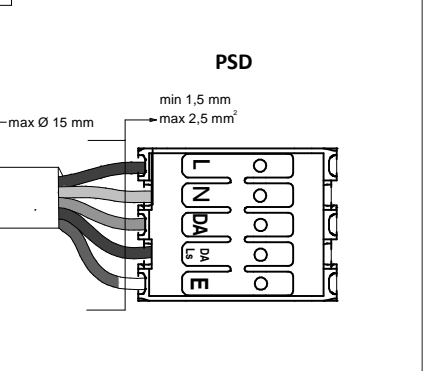
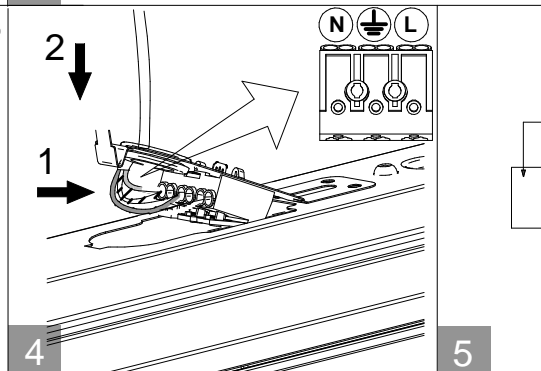
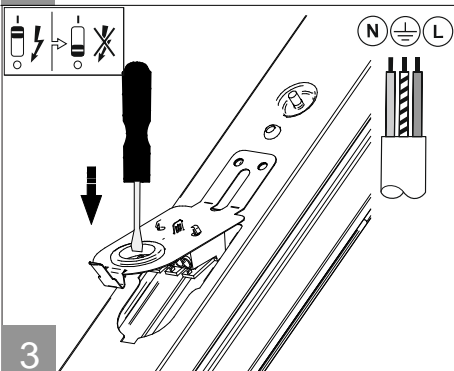
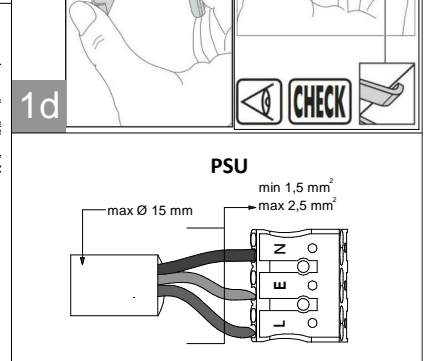
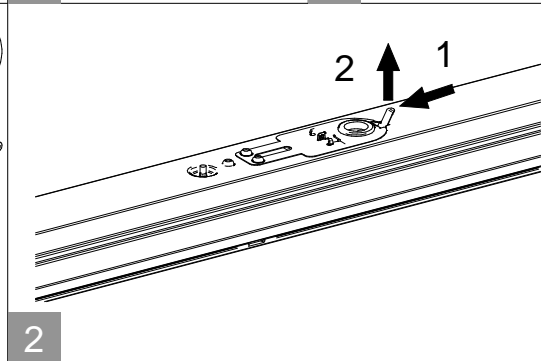
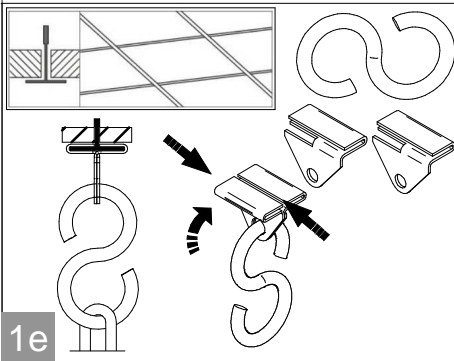
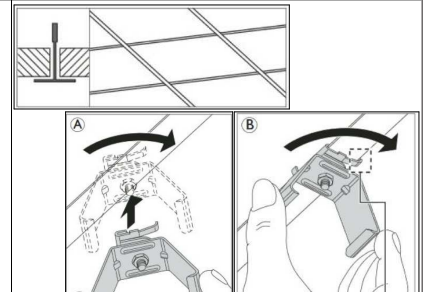
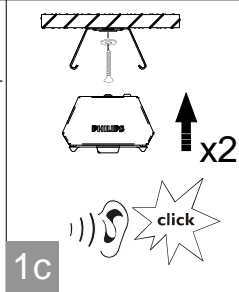
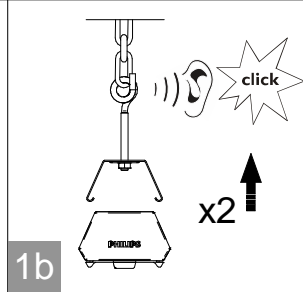
Prevent water from entering on or in the luminaire at installation and during use of the luminaire.

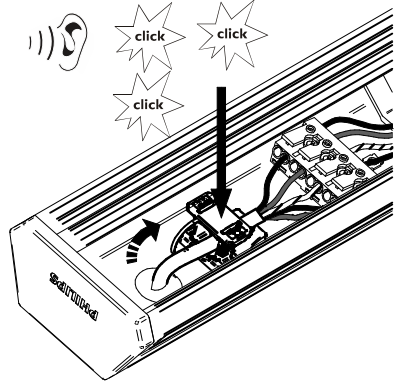


Luminaire type		SYSTEM FLUX [Lm]	Wattage [W]	A [mm]	L1 [mm]	kg
<b>LL217X</b>	45S PSU BV	4500	27	1714	500 - 800	3,0
	80S PSU BV	8000	50			
	80S PSU HE BV	8000	48			
	120S PSU BV	12000	80			
<b>LL234X</b>	90S PSU BV	9000	54	3414	500 - 800	5,8
	160 PSU BV	16000	100			
	160 PSU HE BV	16000	96			
	240S PSU BV	24000	160			

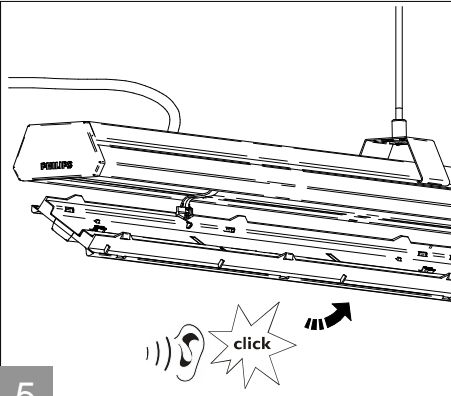


Drawing	Accessories
1a	LL200Z MB-SW
1b	LL200Z CB
1c	LL200Z SMB
1d	LL200Z PB
1e	LL200Z SMB-TPM SET

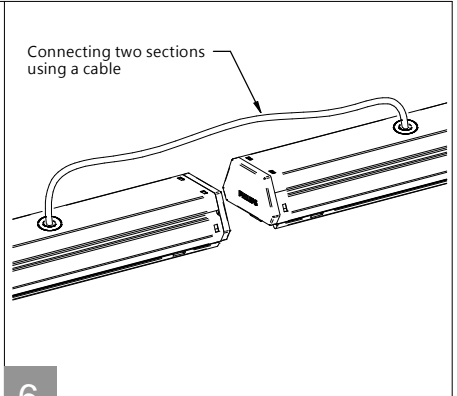




4

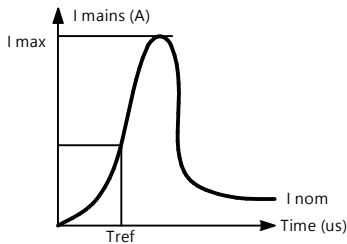


5



6

**Inrush current**



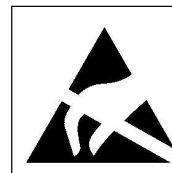
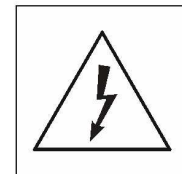
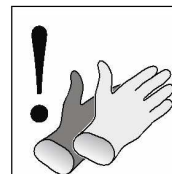
TYPE	555 1xPSU (36W)	305/455 1xSRD (35W)	905 2x SRD (35W)	305/455 1xPSD (35W)	905 2xPSD (35W)	305/455/535/805 1xPSD (60W)	905/1605 2xPSD (60W)	535/805 1xSRD (60W)	1605 2xSRD (60W)	455/805 1xPSU (75W)	905/1605 2xPSU (75W)	805/1205 1xPSU (100W)	2405 2xPSU (100W)	805/905/1205 1xPSD (100W)	2405 2xPSD (100W)	805/905/1205 1xSRD (100W)	2405 2xSRD (100W)	805/1205/1605 1xPSD (150W)	2405 2xPSD (150W)	1605 1xSRD (150W)
I max [A]	14,0	21,0	42,0	23,1	46,2	25,1	50,2	21,0	42,0	19,0	38,0	22,5	45,0	10,0	20,0	4,5	9,0	5,1	10,2	5,1
Tref [µs]	250	280	280	221	221	214	214	280	280	280	280	30	30	35,9	35,9	1000	1000	760	760	760
cable Ø [mm²]	1.5 / 2.5*																			
MCB B-6A	13/13	8/8	4/4	8/8	4/4	8/8	4/4	8/8	4/4	9/9	4/4	9/9	4/4	7/7	3/3	7/7	3/3	6/6	3/3	4/4
MCB B-10A	20/20	13/13	6/6	13/13	6/6	13/13	6/6	13/13	6/6	15/15	7/7	14/14	7/7	11/11	5/5	11/11	5/5	10/10	5/5	7/7
MCB C-10A	34/34	21/21	10/10	22/22	11/11	21/21	10/10	21/21	10/10	24/24	12/12	23/23	11/11	18/18	9/9	18/18	9/9	16/16	8/8	12/12
MCB B-13A	26/26	17/17	8/8	17/17	8/8	17/17	8/8	17/17	8/8	19/19	9/9	18/18	9/9	14/14	7/7	14/14	7/7	12/12	6/6	9/9
MCB C-13A	40/44	28/28	14/14	29/29	14/14	28/28	14/14	28/28	14/14	32/32	16/16	30/31	15/15	24/24	12/12	24/24	12/12	20/21	10/10	16/16
MCB B-16A	33/33	21/21	10/10	22/22	11/11	21/21	10/10	21/21	10/10	24/24	12/12	23/23	11/11	18/18	9/9	18/18	9/9	16/16	8/8	12/12
MCB C-16A	40/56	35/35	17/17	37/37	18/18	35/35	17/17	35/35	17/17	40/40	20/20	30/39	15/19	30/30	15/15	30/30	15/15	20/27	10/13	20/20

\* Warning! The values on the left are for 1.5 mm thick cables, the values on the right are for 2.5 mm thick cables

**Maintenance instructions**

To assure the lighting quality of this unique LED lighting concept there are a few instructions regarding the maintenance of this LED luminaire:

- Do not touch electronic components!  
Electronic components are under high voltage.  
Electronic components are ESD sensitive.
- During installation or when maintaining the luminaire please use static free gloves to avoid marks on the luminaire.
- To remove dirt and spots use the following:  
Dust: only use micro fiber cloths  
Fingerprints, etc.: use a cleaner for synthetic materials with antistatic properties.
- Do not stare into the LED light beam.
- To avoid scratches and dirt on optical parts remove protective foil after installation.
- The luminaire shall be installed by a qualified electrician and wired in accordance with the latest IEE electrical regulations or the national requirements.
- The light source of this luminaire is not replaceable: when the light source reaches its end of life whole luminaire shall be replaced.
- Driver insulation: Basic according to IEC 61847-1.



**ATTENTION**  
OBSERVE PRECAUTIONS  
FOR HANDLING  
ELECTROSTATIC  
SENSITIVE  
DEVICES