

PHILIPS

dynalite 

Electrical Accessories



DDNP1501

Network Power Supply

Supplements DyNet network DC supply

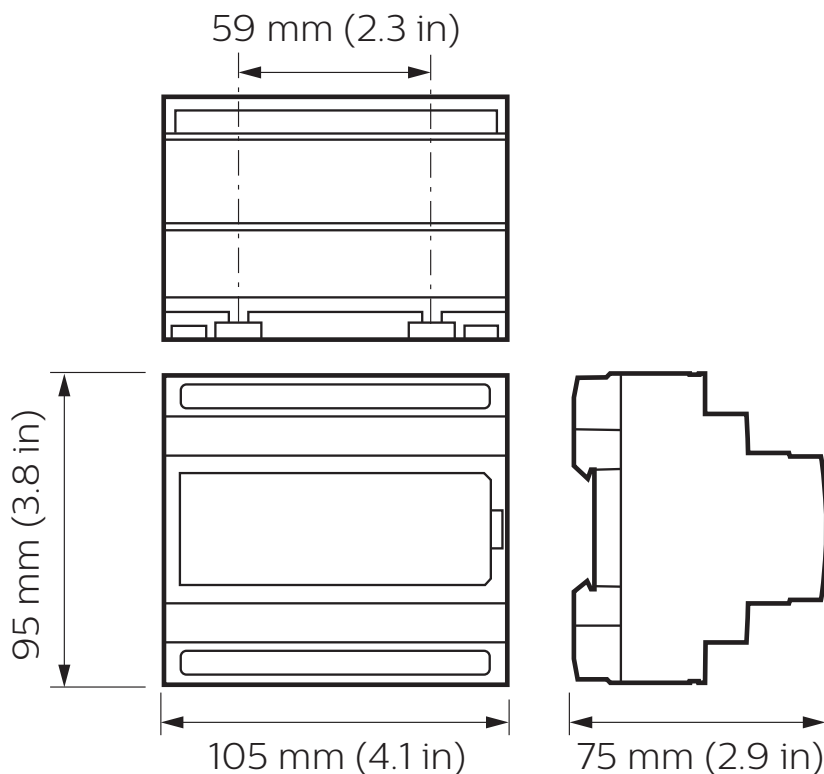
The Philips Dynalite DDNP1501 is a 15 VDC 1.5 A regulated power supply designed to supplement the DyNet network DC supply.

DDNP1501

Supplements DyNet network DC supply

- **No manual selection required** – The switch-mode design allows the device to be used with a range of input voltages.
- **Used when high-consumption devices are employed** – The DyNet network is self-powered via built-in DC supplies integrated within all mains-powered devices. Use of high-consumption devices, such as edge-lit touchscreens, can necessitate a requirement for additional power.
- **Flexible mounting solution** – A DIN-rail mountable device, with a circuit breaker profile designed to be installed into all types of distribution board enclosures, including those with cover apertures specifically designed for circuit breakers.

Dimensions



Specifications

Due to continuous improvements and innovations, specifications may change without notice.



DDPN1501
Network Power Supply

Electrical

| | |
|--------------------------|--|
| Supply Type | Single-Phase |
| Supply Voltage | 110–240 VAC |
| Supply Current | 0.5 A |
| Output Voltage | 15 VDC |
| Output Current | 1.5 A (230 V supply) 1 A (110 V supply) |
| Protection | Self-resetting overload protection Short circuit protection Automatic thermal shutdown |
| IEC Overvoltage Category | III |

Control

| | |
|------------|---------------|
| Indicators | 1 x power LED |
|------------|---------------|

Physical

| | |
|--------------------------------|--|
| Dimensions (H x W x D) | 95 x 105 x 75 mm (3.8 x 4.1 x 2.9 in) |
| Packed Weight | 0.2 kg (0.44 lb) |
| Construction | Polycarbonate DIN-rail enclosure (6 unit) |
| Supply Terminals | 3 x screw terminal Line, Neutral, Earth |
| Supply Terminal Conductor Size | 2.5 mm ² (max) |
| Load Terminals | 4 x screw terminal GND, GND, +15 V, +15 V |
| Load Terminal Conductor Size | 2.5 mm ² (max) |

Environment*

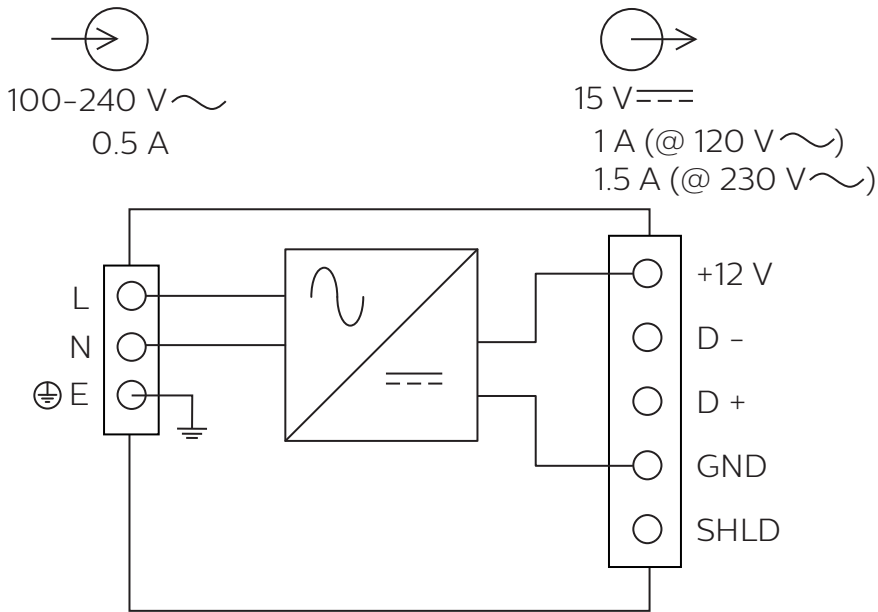
| | |
|-------------------------------|--------------------------------------|
| Operating Temperature | 0° to 40°C ambient (32° to 104°F) |
| Storage/Transport Temperature | -25° to 60°C ambient (-13° to 140°F) |
| Humidity | 0 to 90% non-condensing |
| IEC Pollution Degree | II |

Compliance

| | |
|---------------|---------------------|
| Certification | CE, RCM, UKCA, RoHS |
|---------------|---------------------|

* For indoor installation only

Electrical



Ordering Code

Product
DDNP1501

Philips 12NC
913703090309



© 2021 Signify Holding. All rights reserved. Specifications are subject to change without notice. No representation or warranty as to the accuracy or completeness of the information included herein is given and any liability for any action in reliance thereon is disclaimed. Philips and the Philips Shield Emblem are registered trademarks of Koninklijke Philips N.V. All other trademarks are owned by Signify Holding or their respective owners.