

PHILIPS

Dynalite

Signal dimmers

DDBC120-DALI
MultiMaster DALI Driver Controller



Project: _____
Location: _____
Cat.No: _____
Type: _____
Lamps: _____ Qty: _____
Notes: _____

Enabling a full DALI universe including tunable white drivers, DALI sensors and user interfaces

The Philips Dynalite DDBC120-DALI delivers cost-effective control of DALI drivers through provision of a full universe of 64 DALI drivers. The device communicates seamlessly with Philips Dynalite DALI sensors and user interfaces.

DALI MultiMaster solution: Compatible with a range of DALI fittings and devices including DALI fluorescent drivers, DALI electronic low voltage transformers, DALI LED fixtures, DALI emergency lighting fixtures and Philips Dynalite DALI sensors and user interfaces.

Compatible with DALI 209 drivers: Provides control of tunable white luminaires.

DALI auto-enumeration: Provides automatic enumeration of DALI ballasts when powered on and enables self repair of the network system if a DALI driver fails.

Fully scalable network solution: Direct mapping from DALI to the DyNet network protocol eliminates DALI imposed limits, such as maximum group sizes.

Flexible mounting solution: A DIN-rail mountable device, designed to be installed into the distribution board supplying power to the controlled lighting circuit.

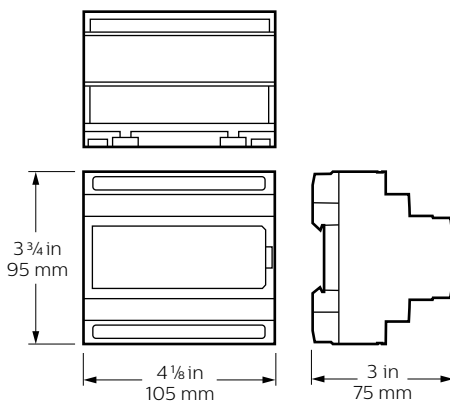
Dual functionality: Leverage advantages of a true DALI network solution, whilst still allowing full function set of DyNet network control.

Built-in energy savings: Control signals can be programmed to operate in tandem with the internal relay, which will automatically isolate the power circuit when all associated channels are at 0%.

Integral DALI bus power supply: Removes the need for provision of a separate external power supply and reduces distribution board wiring complexity.

Inbuilt diagnostic functionality: Features lamp and driver failure reporting, driver run time tracking for each driver, emergency test reporting and Device Online/Offline status indication.

Dimensions



Output Channel Ratings

Load Type	Maximum Rating per Output
	UL/cUL
Electronic Ballast	16 A, 277 VAC
Inrush Current	500 A

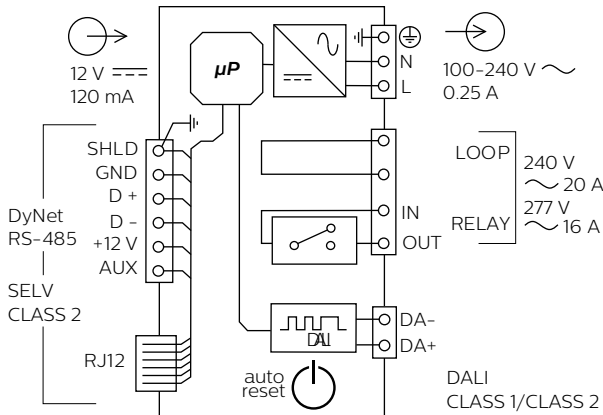
Ordering Code

Product	Philips 12NC
DDBC120-DALI	913703685109

DDBC120-DALI MultiMaster DALI Driver Controller

Dynalite – Enabling a full DALI universe with signal dimmers

Electrical



Maximum DALI Device Count	
Max number of DALI sensors/switches	Max number of DALI drivers
10	64
11	59
12	54
13	49
14	44
15	39
16	34



Physical

Dimensions (H x W x D)	3.74 x 4.13 x 2.95 in (95 x 105 x 75 mm)
Packed Weight	0.99 lb (0.45 kg)
Construction	Polycarbonate DIN rail enclosure (6 unit)
Serial Ports	1 x RJ12 1 x 6-way pluggable screw terminal
Serial Port Conductor Size	2.5 mm ² #12 AWG (max)
Supply Terminals	3 x screw terminal Line, Neutral, Earth
Supply Terminal Conductor Size	5 mm ² #10 AWG (max)
Control Terminals	1 x 2-way screw terminal DA-, DA+
Control Terminal Conductor Size	5 mm ² #10 AWG (max)
Relay/Loop Terminals	4 x screw terminal Loop IN, Loop OUT, Relay IN, Relay OUT
Relay/Loop Terminal Conductor Size	5 mm ² #10 AWG (max)

Electrical

Supply Type	Single-Phase
Supply Voltage	100-240 VAC
Supply Current	0.25 A
DyNet DC Output Voltage	12 VDC
DyNet DC Output Current	120 mA
DALI Bus	16 VDC @ 220 mA per universe
Power Supply Rating	(guaranteed)
DALI Bus Power Supply Max Current	250 mA
DALI Insulation System	Basic
Switched Outputs	1 x 20 A feed-through
Output Channel Ratings	(see first page)
IEC Overvoltage Category	III

Environment

Operating temp	-4° to 122°F ambient (-20° to 50°C)
Storage/Transport temp	-13° to 158°F ambient (-25° to 70°C)
Relative Humidity	0 to 90% non-condensing
IEC Pollution Degree	II

Control

Serial Ports	1 x RS-485
Supported Protocols	DyNet, DMX Rx
DMX Rx Channels	1
Control Channel Outputs	1 x DALI (DALI 207, DALI 209, MultiMaster)
Control Channel Output Capacity	64* (See above - Max DALI Device Count)
Dry Contact Inputs	1 (AUX)
User Input	1 x service switch
Indicators	1 x diagnostic LED
Diagnostic Functions**	Lamp failure reporting Driver failure reporting Driver runtime tracking Switched output runtime tracking Emergency test reporting Device online/offline status

Compliance

Certification	CE, RCM, UL/cUL, FCC, ICES, IEC62386, RoHS
---------------	---

* Including backward channel and communication to Philips Dynalite DALI sensors and user interfaces.

** Philips Dynalite System Manager required for analyzing diagnostic data.
The availability of some diagnostics is dependent on driver type.

© 2018 Philips Lighting Holding B.V. All rights reserved.
Philips reserves the right to make changes in specifications and/or to discontinue any product at any time without notice or obligation and will not be liable for any consequences resulting from the use of this publication.



Philips Lighting North America Corporation
200 Franklin Square Drive, Somerset, NJ 08873
Tel. 855-486-2216

Philips Lighting Canada Ltd.
281 Hillmount Rd, Markham, ON, Canada L6C 2S3
Tel. 800-668-9008